

EXPLODED VIEW and SPARE PARTS LIST

RD-GCS30

Рис.1

- 1 cylinder
- 2 air intake tube gasket
- 3 air intake tube
- 4 5*12 screw
- 5 part 1
- 6 carburetor support
- 7 5*14 screw
- 8 air intake flange
- 9 carburetor support gaske
- 10 cylinder gasket
- 11 5*20 screw
- 12 5*85 bolt
- 13 M5 nut
- 14 muffler
- 15 5*10 screw
- 16 muffler gasket
- 17 muffler part
- 18
- 19 M5 pin
- 20 6202 bearing
- 21 part 2
- 22 15*35*4.5 oil seal
- 23 15*28*4.5 oil seal
- 24 8*42 screw
- 25 part 3
- 26 part 4
- 27 part 5
- 28 crankcase gasket
- 29
- 30 5*30 screw
- 31 part 6
- 32 part 7 for carburetor
- 33 piston
- 34 piston ring
- 35 piston pin
- 36 piston pin ring
- 37 piston bearing
- 38 part 8
- 39 crankshaft
- 40

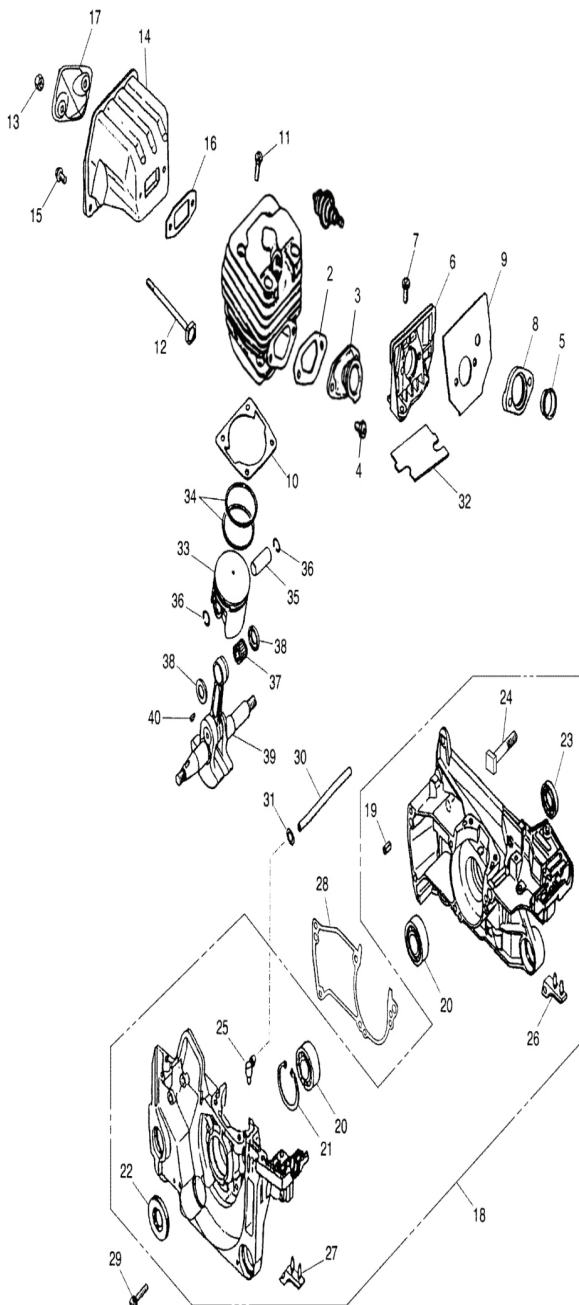


Рис.2

- 1 flywheel
- 2 plastic dial plate spring
- 3 plastic dial plate ring
- 4 M8 screw
- 5 M8 gasket
- 7 ignitor
- 8 ignitor cap
- 11 ignitor connection spring
- 12 ignitor part
- 14 spark plug cap
- 15 5*20 screw 8.8 level
- 18 choke cable
- 19 on/off switch
- 20 part 9
- 22 5*10 screw
- 23 spark plug
- 25 part 10 for oil seal
- 26 4*10 screw
- 27 start assy
- 28 start cover
- 29 part 11
- 30 spring 1
- 31 rope wheel
- 32 spring 2
- 33 starter line
- 34 start handle
- 35 part 12
- 36 rope wheel cover
- 38 5*16*1.5
- 39 5*14 screw
- 40 part 12
- 43 5*14 screw
- 45

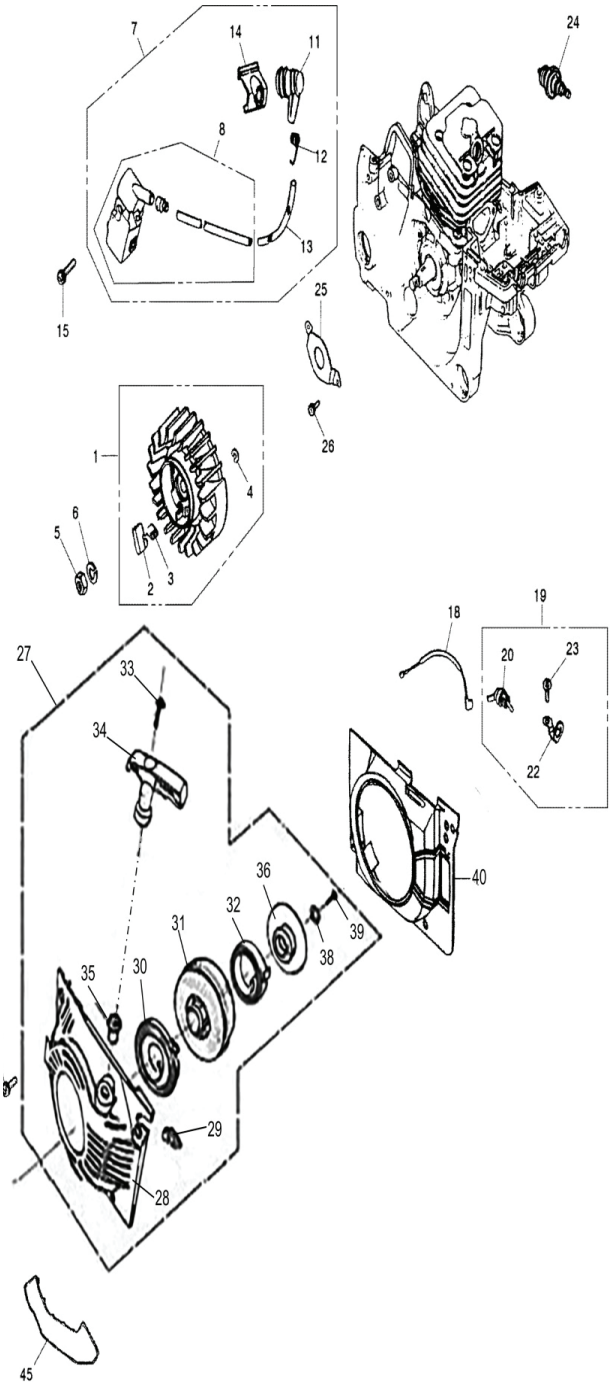


Рис.3

- 1 handle
- 2 5*14 screw
- 7 fuel tank
- 11 part 13
- 12
- 13
- 14 trigger
- 15 trigger spring
- 16 6*25 screw
- 17 part 14
- 18 handle cover
- 19 5*23 screw
- 20 par 15
- 21 5*14 screw
- 22 cranksc shock absorber
- 23 5*14 screw
- 24 part 15
- 25 spring 3
- 26 base of spring 3
- 27 fuel tank shock absorber
- 28 5*14 screw
- 29 part 15

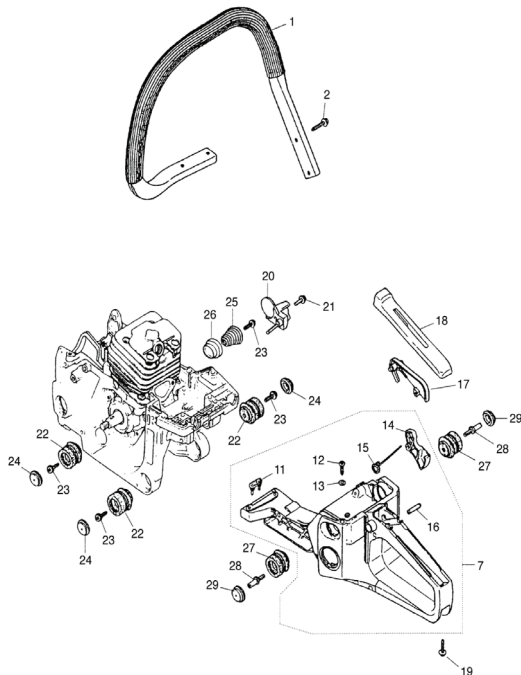


Рис.4

- 1 cylinder cover
- 2 idle speed agjustment part cover
- 3 5*14 screw
- 4 carburetor
- 5 air filter cover
- 6 air filter lock
- 7 air filter lock gasket
- 12 air filter
- 15 air intake tube with screw
- 16 air intake tube shock absorber
- 17 5*50 screw
- 18 part 16
- 19 part 17
- 20 F shock absorber
- 21 part 18
- 22 part 19
- 24 fuel pipe
- 25 fuel filter
- 27 fuel cap
- 28 fuel cap gasket
- 30 part 20
- 31
- 32

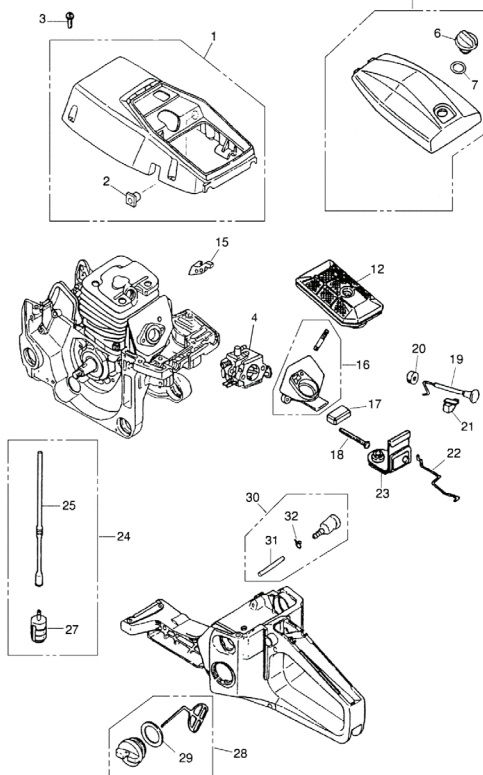


Рис.5

- 1 oil cap
- 2 oil cap gasket
- 3
- 4 oil pipe
- 5 oil filter
- 6 part 18
- 7 part 19
- 8 part 20
- 9 spring 4
- 10
- 11 oil pump
- 12 turbine
- 13 spring of oil pump
- 14 4*14 screw
- 15 oil pump cover
- 16 4*12 screw
- 17
- 18 clutch part 1
- 19 clutch part 2
- 20 clutch spring
- 21 clutch needle bearing
- 22 clutch drum
- 23 sprocket
- 24 clutch support

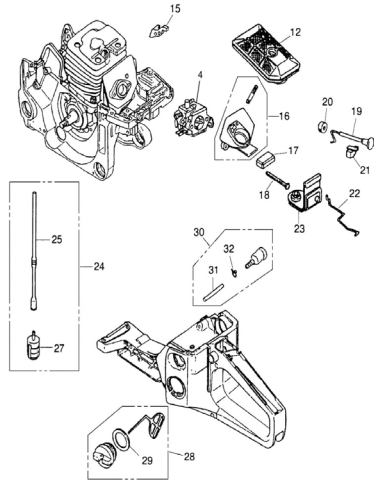
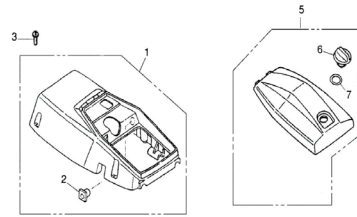


Рис.6

- 1 chain catcher
- 2 screw for chain catcher
- 3 part 18
- 4 4*12 screw
- 5 part 19
- 6 screw for brake assy
- 7 brake assy
- 8 brake
- 9
- 10 screw
- 11 screw
- 12 screw
- 13 part 20
- 14 part 21
- 15 4*10 screw
- 16 brake part
- 17 front damper
- 18 part 22
- 19 part 23
- 20 part 24
- 21 part 25
- 22 part 26
- 23 6*18*1.5 gasket
- 24 part 27
- 25 part 28
- 26 part 29
- 27 part 30
- 28 4*10 screw
- 29 part 31

- 30 part 32
- 31 brake part
- 32 part 33
- 33 spring 5
- 34 spring 6

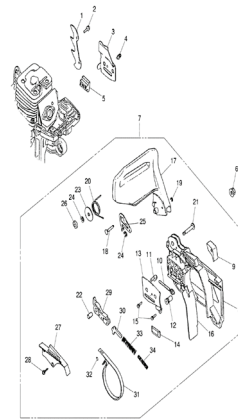


Рис.7

- 2 bar
- 3 chain
- 10 bar cover
- 13 allen wrench
- 14 allen wrench
- 15 sleeve
- 16 screw fix
- 17 file
- 35 pot

